

SPECIFICATION SHEET - kitchen appliances

BRAND:	Küppersbusch <small>FÜR KÜCHEN MIT STIL</small>
ORIGIN:	Germany
SERIES:	Profession +
PRODUCT DESCRIPTION:	Built-in electric oven, with: <ul style="list-style-type: none"> - electronic touch control with knob handles - Pyrolytic cleaning function - full glass front with door contact switch - 14 oven functions - 10 automatic programme
MODEL No.	BP 6350
FINISH/COLOUR:	Black glass stainless steel look
DIMENSIONS:	Overall: 595 W x 595 H x 559 D mm Opening: 560 W x 590 H x 580 D mm
OPTIONAL MATCHING PARTS:	

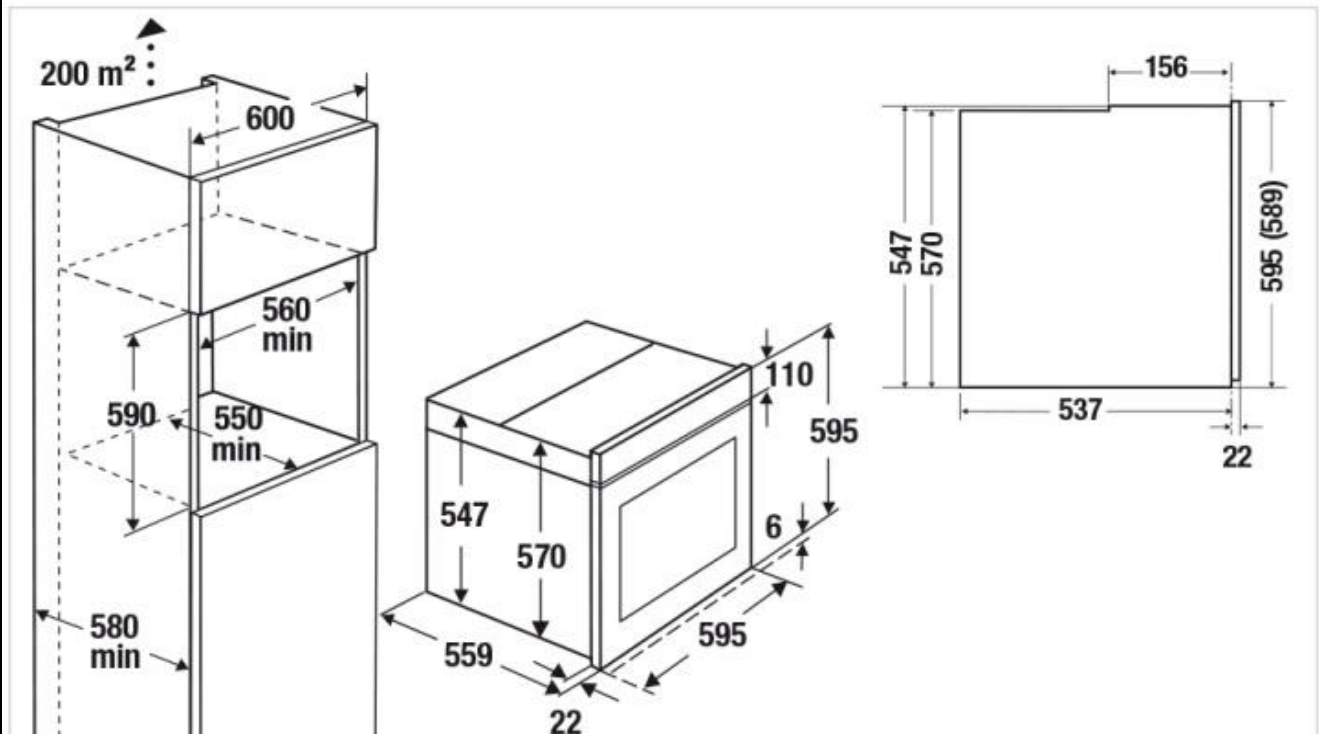
Product Photo:



Technical Informations:

voltage/frequency : 220V/50-60Hz

total power : 3.6kW



Minimum 200mm² at the back must be provided for ventilation.

REMINDER:	Do not use abrasive or aggressive cleaners and or contain chlorine or hydrochloric acid solution for cleaning.
	Sufficient ventilation must be provided for oven, microwave, steamer & hobs according to requirement.
	All information stated above are solely for reference only, and should be based on the actual submission sample. Dimensions and specifications are subject to change without prior notice.